

WDA Sensor

High Power Extended Range Magnetic Proximity Sensor

APPLICATION

Non-contacting extended range magnetic proximity sensor, not affected by dust or material build up, used to detect moving ferrous material up to 75mm away from the sensor.

METHOD OF OPERATION

The WDA sensor is designed for use with bucket elevators to detect the buckets in order to measure speed and alignment. It can also detect screw conveyor flights, and ferrous bolts when attached to non-ferrous buckets. A more specialized use of the WDA sensor is for broken/slack chain detection.

The sensor is used in conjunction with a PLC or with 4B's Watchdog™ Elite or A400 Elite control units. Two output signals are provided: one signal is a pulse output, representing each bucket detected: the second signal is a continuous output when moving buckets are detected.

FEATURES

- ▶ Adjustable Sensing Range 25mm to 75 mm
- ▶ LED Indication
- ▶ Mounting Bracket Included
- ▶ ½" NTP Conduit Entry
- ▶ Stainless Steel Construction
- ▶ High Temperature Version Available
- ▶ IP66 Protection

PART NUMBERS/ACCESSORIES

- ▶ WDA3V34CAI WDA Standard Sensor
- ▶ HTAS1V34 WDA High Temperature Sensor
- ▶ WDAMB Sensor Mount (Included with Sensor)
- ▶ AS62 Abrasion Shield

4B COMPATIBLE MONITORING SYSTEMS

- ▶ WDC3NV46CAI Watchdog Elite Monitoring System
- ▶ A4004V46CAI A400 Elite Monitoring System



WDA Sensor
(WDA3V34CAI)

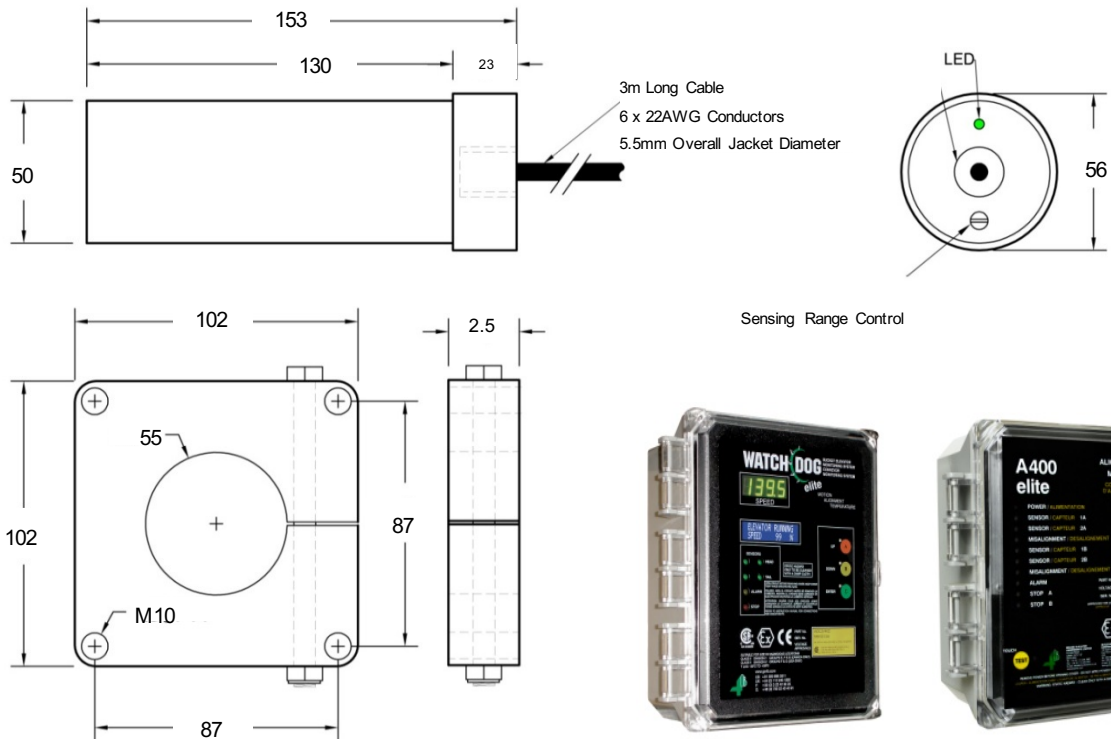


WDA High Temperature Sensor
with Remote Electronic Box

WDA Sensor

BETTER BY DESIGN

DIMENSIONS



All Dimensions in mm



Connect the WDA sensor to the Watchdog Elite or A400 Elite digital monitoring systems for conveyors or bucket elevators. The WDA sensor can also be connected directly to a motor starter circuit or PLC.

TECHNICAL SPECIFICATIONS

WDA Sensor - Extended Range Magnetic Proximity Sensor

	WDA3V34AI	HTAS1V34
Voltage:	12-24 VDC \pm 10%	12-24 VDC \pm 10%
Supply Current:	65 mA	130 mA
LED Indicator:	Green (Flashing) - Target Detected	Green (Flashing) - Target Detected Green (Off) - No Target Detected
Outputs (Max):	100 mA Sink (Pull) 50 mA Source (Push)	100 mA Sink (Pull) 1mA Source (Push)
Detection Range (2.5mm Target)	Adjustable: 25 mm - 75 mm	Adjustable: 25 mm - 75 mm
Detection Rate:	20 - 2,000 Targets/Minute	20 - 2,000 Targets/Minute
Cable:	6 Conductor - 3m Long	3 Conductor - 4m Long
Conduit Entry:	1/2" NPT	1/2" NPT
Temperature Rating:	-20°C to +50°C	-29°C to +150°C Continuous -20°C to +180°C Maximum
Protection:	IP66	IP66
Approval:	ATEX and IECEx: Zone 20 CSA: Class II, Div 1	Not Approved
Dimensions:	50mm DIA x 150mm length	50mm DIA x 150mm length

Please refer to instruction manual for correct installation. Information subject to change or correction. Jun 2016