

Kidde Engineered Fire Suppression System

Designed for use with 3M™ Novec™ 1230 Fire Protection Fluid
Cylinder and Valve Assemblies, 350 lb. Capacity
Data Sheet



A UTC Fire & Security Company

Effective: March 2007
K-45-2050

FEATURES

- For Use with UL Listed, ULC Listed and FM Approved Systems

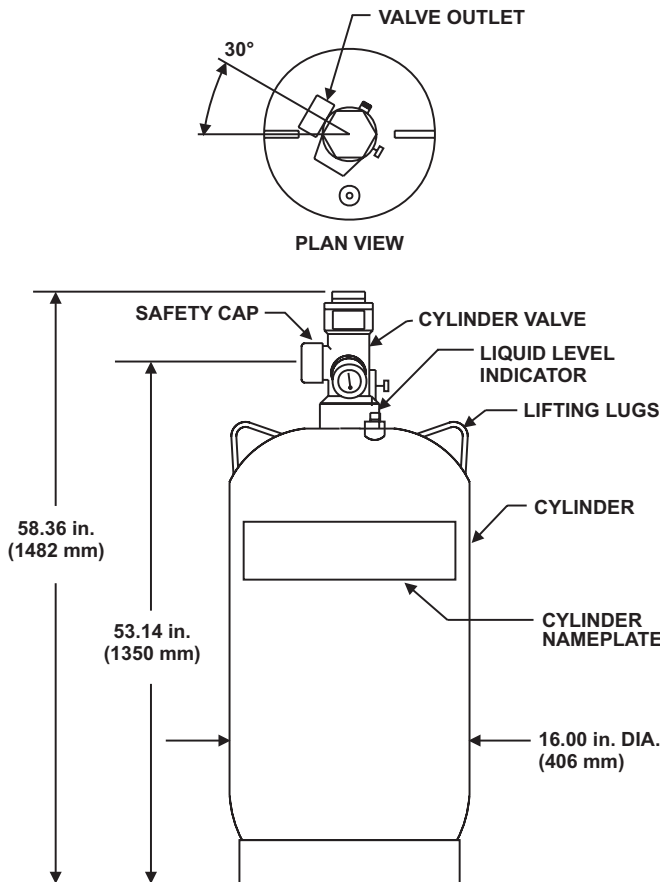
P/N: 45-10035X-001

ORDERING INFORMATION

Part Number	Description
45-100350-001	STD
45-100351-001	with LLI

MATERIALS

- Valve Body: Brass
- Cylinder: Steel, Painted Red



Note:

1. The safety cap must be installed on the valve outlet at all times, except when the cylinders are connected to the system piping, or being filled. The safety cap must not be removed from its chain.
2. See K-45-2070 for additional information.

Kidde is a registered trademark of Kidde-Fenwal, Inc.
3M and Novec are trademarks of 3M.
All other trademarks are property of their respective owners.

This literature is provided for informational purposes only. KIDDE-FENWAL, INC. assumes no responsibility for the product's suitability for a particular application. The product must be properly applied to work correctly.
If you need more information on this product, or if you have a particular problem or question, contact KIDDE-FENWAL, INC., Ashland, MA 01721. Telephone: (508) 881-2000.

Kidde Fire Systems
A UTC Fire & Security Company
400 Main Street
Ashland, MA 01721
Ph: 508.881.2000
Fax: 508.881.8920
www.kiddefiresystems.com