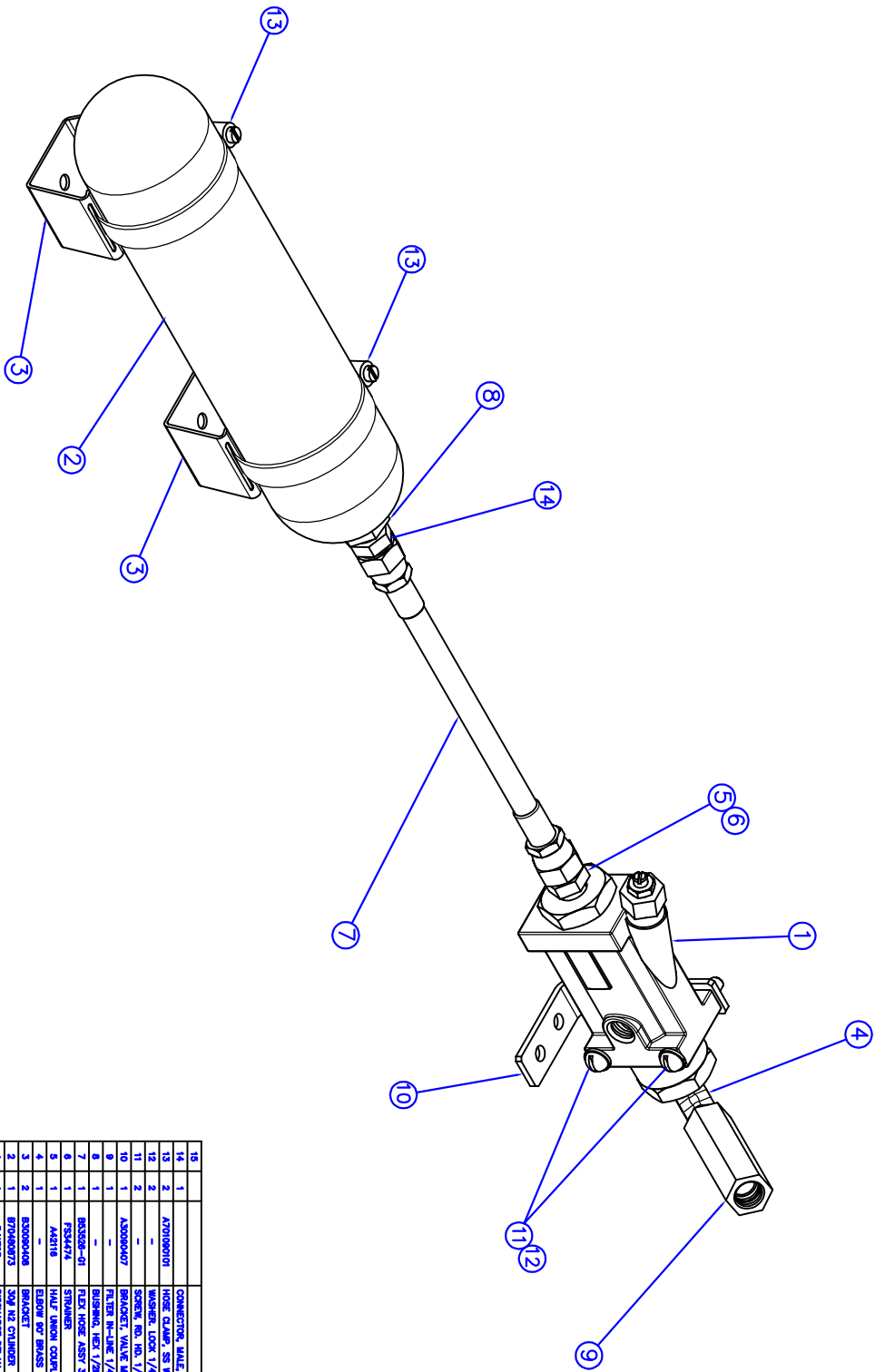


THIS DOCUMENT AND DATA PROVIDED HEREIN OR HEREBY IS NOT TO BE REPRODUCED, TRANSMITTED, OR DISCLOSED IN WHOLE OR PART IN ANY FORM OR BY ANY MEANS, ELECTRONIC OR MECHANICAL, INCLUDING PHOTOCOPYING, RECORDING, OR BY ANY INFORMATION STORAGE AND RETRIEVAL SYSTEM, WITHOUT THE WRITTEN PERMISSION OF THE ORIGINAL AUTHOR.

REVISIONS			
REV.	DATE	BY	DESCRIPTION
1	10/21/08	HOYT	RELEASED, ECH #235-14524
2	12/02/08	BBS	



D20190008
SHT 1 OF 1

ITEM NO.	QTY	DESCRIPTION	STOCK NO.
1	1	NOZZLE TIP	50440580
2	1	HANDLE	70000101
3	1	TANK	60000014
4	1	NOZZLE BODY	50440753
5	1	HOSE CLAMP	60000071
6	1	HOSE	30000407
7	1	HOSE	70000010
8	1	HANDLE BRACKET	50440753
9	1	NOZZLE BODY	50440753
10	1	NOZZLE BODY	50440753
11	1	HOSE CLAMP	60000071
12	1	HOSE	30000407
13	1	HANDLE	70000101
14	1	HANDLE BRACKET	50440753
15	1	NOZZLE TIP	50440580

DESIGNER	DATE	NAME	STOCK NUMBER	REV.
DESIGNED BY	10/21/08	HOYT	20100008	1
CHECKED BY				
APPROVED BY				

UNLESS OTHERWISE SPECIFIED	DATE	NAME	STOCK NUMBER	REV.
DESIGNED BY	10/21/08	HOYT	20100008	1
CHECKED BY				
APPROVED BY				

FINISHES
 20 = Zn
 25 = Ni
 30 = SS
 35 = BRASS
 40 = ALUMINUM

LIST OF MATERIAL

PROJECT: FIRE SUPPRESSION EQUIPMENT
 DRAWING NO: D20190008
 SHEET 1 OF 1