

FM-200[®] Component Description

Cylinder Valve



A UTC Fire & Security Company

Effective: April 2007
K-90-2080

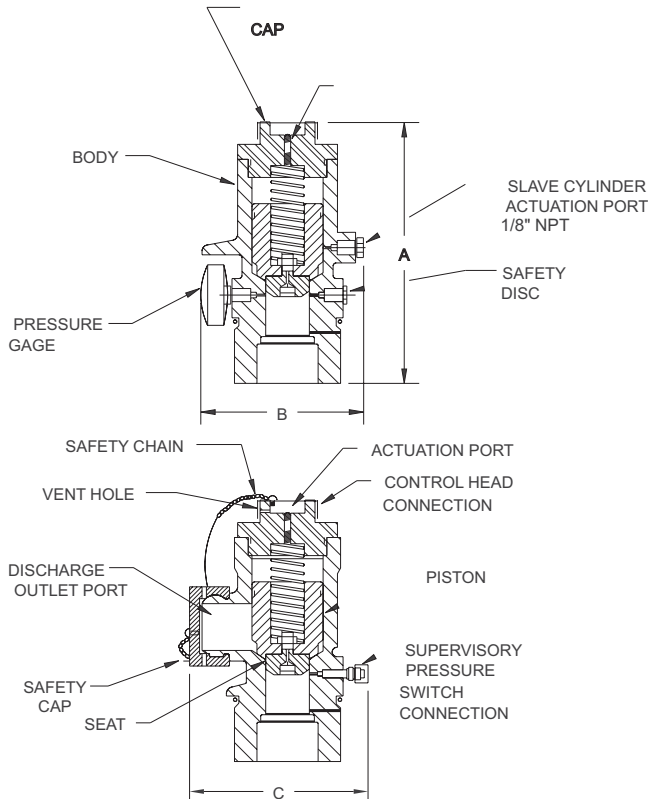
FEATURES

- For Use with UL Listed, ULC Listed and FM Approved Systems
- See Kidde[®] Manual 90-FM200M-021 for USCG Approval

P/N: 90-1X0000-000

TECHNICAL DATA

- Working Pressure: 360 to 609 PSIG
- Proof Pressure: 1000 PSIG
- Burst Pressure: 2000 PSIG
- Temperature Range: 1°F to 130°F



Equivalent Length in Schedule 40 Pipe	
1½"	16.7' of 1¼"
2"	28.0' of 2"
2½"	3.5' of 2½"

MATERIALS

- Valve Body: Brass
- Piston: Brass
- Finish: Natural
- Seat: Rubber

Part Number	Valve Size	A	B	C	D	E	F
90-140000-000	1½"	7.63"	4.83"	5.22"	754-900 PSI	242461	9.9 lb.
90-150000-000	2"	8.80"	5.32"	6.28"	798-972 PSI	264925	15 lb.
90-160000-000	2½"	10.04"	6.30"	6.61"	798-972 PSI	264929	24 lb.

FM-200 is a registered trademark of the Great Lakes Chemical Corporation.

This literature is provided for informational purposes only. KIDDE-FENWAL, INC. assumes no responsibility for the product's suitability for a particular application. The product must be properly applied to work correctly. If you need more information on this product, or if you have a particular problem or question, contact KIDDE-FENWAL, INC., Ashland, MA 01721. Telephone: (508) 881-2000.

Kidde Fire Systems
A UTC Fire & Security Company
400 Main Street
Ashland, MA 01721
Ph: 508.881.2000
Fax: 508.881.8920
www.kiddefiresystems.com